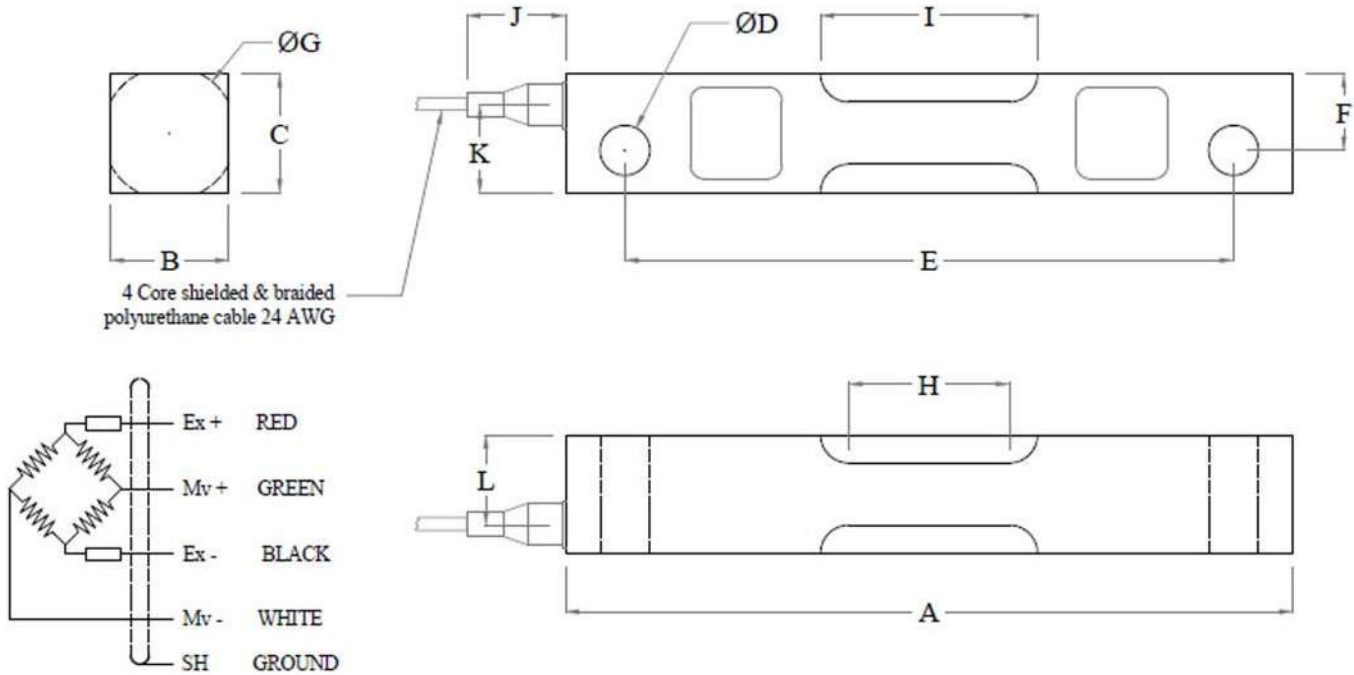


# MODEL : DESB-T



## Dimension



Cap. kgf	A	B	C	D	E	F	G	H	I	J	K	L
450 - 2250	190	31	31	13	159	20	32.5	30	42	40	23	23
Cap. tf												
5 - 15	223	36	49	21	190	27	51	45	60	40	38	25
20 - 27	345	62	75	34	293	37.5	77	95	110	40	60	48

All Dimensions are in mm.

## MODEL : DESB-T

### Performance Data

Capacity Range (in Kg)	450 / 750/ 900/ 1350
Capacity Range ( in tf)	1.1/2.25/4.5/7.5/9/11.5/15/27
Nominal Sensitivity (mv/V)	3±0.25%
Zero Signal Tolerance	0 ± 2%
Input Resistance	700±5Ω
Output Resistance	700±3Ω
Recommended Excitation Voltage	10 VDC
Maximum Excitation Voltage	25 VDC
Linearity Deviation (as % of Full Scale)	< ± 0.020
Repeatability (as % of Full Scale)	< ± 0.020
Hysteresis (as % of Full Scale)	< ± 0.020
Creep (as % of Full Scale) in 30 min	< ± 0.020
Effect of Temperature on Zero ( % / °C)	± 0.002
Effect of Temperature on Span ( % / °C of Load)	± 0.001
Compensated Temperature Range	-10 to + 40°C
Operating Temperature Range	-20 to +70°C
Combined Error (as % Full Scale)	< ± 0.025 max
Isolation Resistance (@ 50 VDC)	> 1000 M Ω
Max. Limit Force (as % of Full Scale)	150
Breaking Force (as % of Full Scale)	300
Lateral Load Limit (as % of Full Scale)	500:1
Protection Class	IP 68
Material of Construction	High Nickel Alloy Steel

### Features

- ★ In-built Lightning Protection
- ★ Low Profile design
- ★ Low Deflection & Creep
- ★ Excellent Overload Capacity
- ★ Standardised Output for Multi-Transducer Application
- ★ Allows High Permissible Dynamic Load
- ★ Insentive to Eccentric Load

### Optional

- ★ Explosion Proof Version suitable for Group I,IIA,IIB,IIC & meet Temperature Class T4

### Application

- ★ Silo/ Tank/ Hopper Weighing
- ★ Rope Tension Measurement

### Sensotech

2/675, " THE PALMS", 1st Cross Street, Ranga Reddy Garden, Neelankarai, Chennai-600 041.

Tel : +91- 44 -2449 4305 / 91763 70667 / 73057 16667

Mail : sales@sensotechindia@gmail.com / sensotechindia@gmail.com

Website : www.sensomaticloadcell.net / www.sensomaticloadcell.com