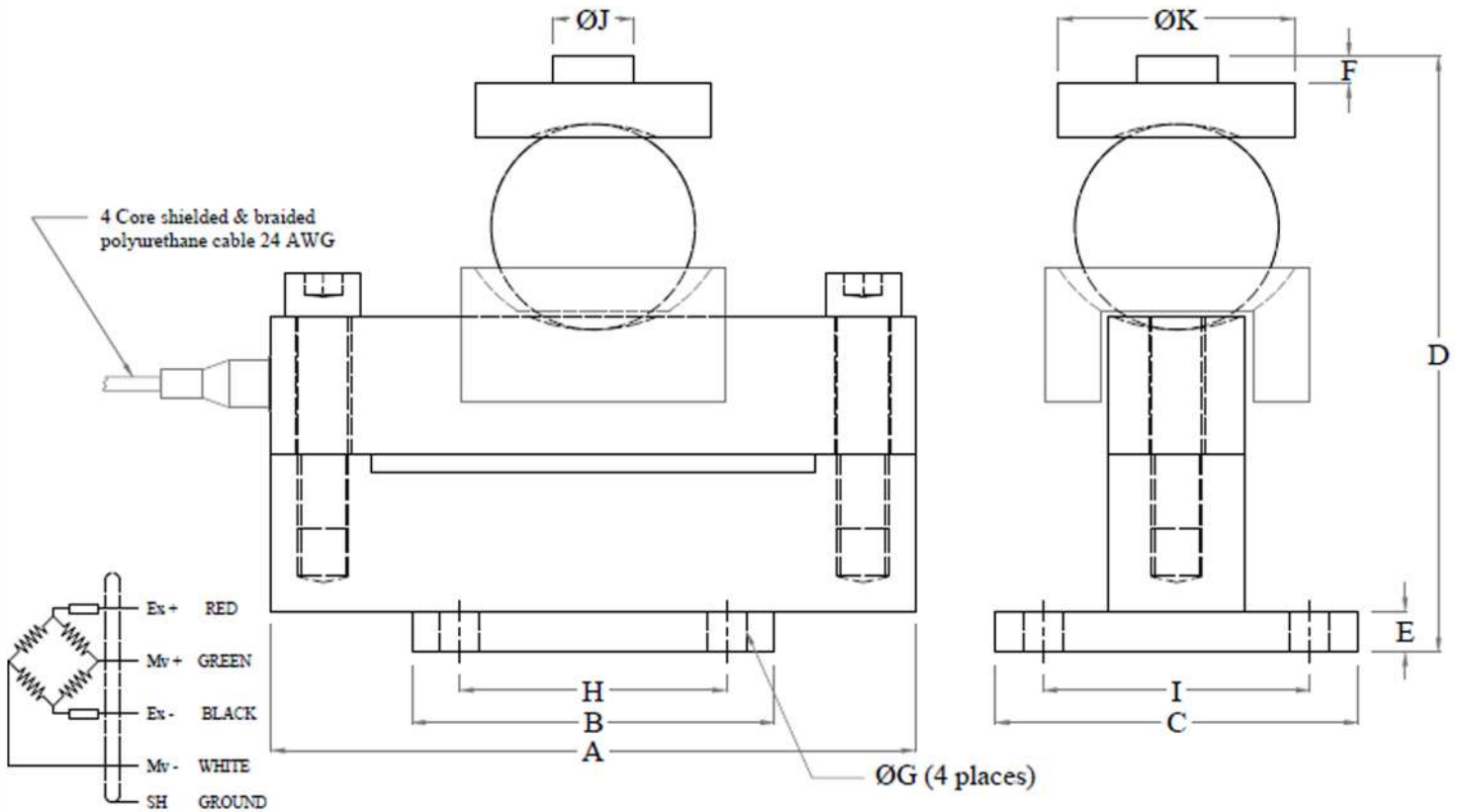


MODEL : DESB-BL



Dimension



Cap. tf	A	B	C	D	E	F	G	H	I	J	k
10/20/30	240	125	135	225	21	10	18	100	80	30	84
40	240	125	135	220	15	15	17	100	80	30	88

All Dimensions are in mm.

MODEL : DESB-BL

Performance Data

Capacity Range (in tf)	10/20/30/40
Nominal Sensitivity (mv/V)	3±0.25%
Zero Signal Tolerance	0 ± 2%
Input Resistance	700±5Ω
Output Resistance	700±3Ω
Recommended Excitation Voltage	10 VDC
Maximum Excitation Voltage	25 VDC
Linearity Deviation (as % of Full Scale)	< ± 0.020
Repeatability (as % of Full Scale)	< ± 0.020
Hysteresis (as % of Full Scale)	< ± 0.020
Creep (as % of Full Scale) in 30 min	< ± 0.020
Effect of Temperature on Zero (% / °C)	± 0.002
Effect of Temperature on Span (% / °C of Load)	± 0.001
Compensated Temperature Range	-10 to + 40°C
Operating Temperature Range	-20 to +70°C
Combined Error (as % Full Scale)	< ± 0.03 max
Insulation Resistance (@ 50 VDC)	> 1000 M Ω
Max. Limit Force (as % of Full Scale)	150
Breaking Force (as % of Full Scale)	300
Lateral Load Limit (as % of Full Scale)	
Protection Class	IP 68
Material of Construction	High Nickel Alloy Steel

Features

- ★ In-built Lightning Protection
- ★ Low Deflection & Creep
- ★ Top Cup & Retainer cup Machined
- ★ Supplied with complete Mounting Accessories

Optional

- ★ Explosion Proof Version suitable for Group I, IIA, IIB, IIC & meet Temperature Class T4 / zone I

Application

- ★ Pit / Pitless Weighbridge

Disclaimer : Specification and Dimensions are subject to change without notice and do not constitute any liability whatsoever

Sensotech

2/675, " THE PALMS", 1st Cross Street, Ranga Reddy Garden, Neelankarai, Chennai-600 041.

Tel : +91- 44 -2449 4305 / 91763 70667 / 73057 16667

Mail : sales@sensotechindia@gmail.com / sensotechindia@gmail.com

Website : www.sensomaticloadcell.net / www.sensomaticloadcell.com