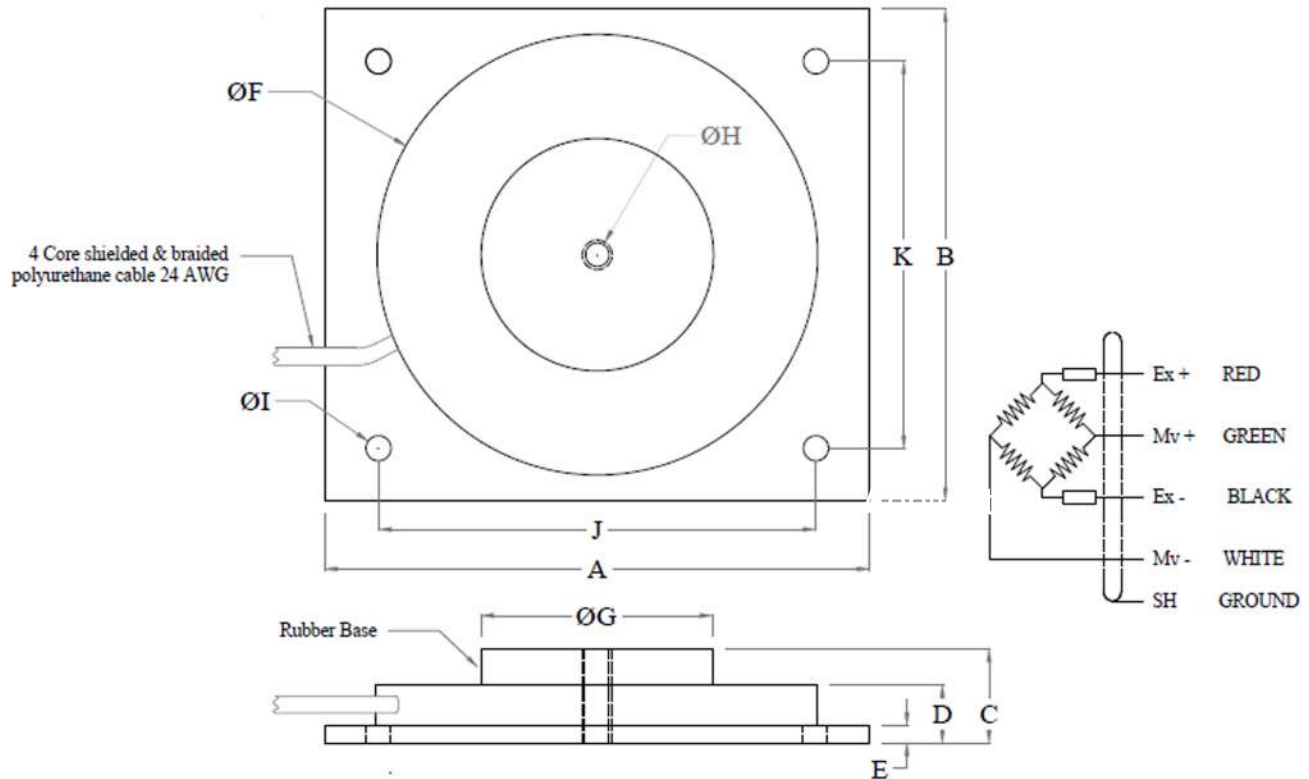


MODEL : MBS



Dimension



| Cap. Tf | A | B | C | D | E | F | G | H | I | J | K |
|-----------|-----|----|----|----|----|-----|-----------|----|----|----|-----|
| 2000/4000 | 290 | 25 | 85 | 50 | 22 | 240 | M8 x 1.25 | 50 | 75 | 72 | 130 |

All Dimensions are in mm.

MODEL : MBS

Performance Data

| | |
|---|-------------------------|
| Capacity Range (in Kg) | 2000 / 4000 |
| Nominal Sensitivity (mv/V) | 2±10% |
| Zero Signal Tolerance | 0 ± 3% |
| Input Resistance | 350±5 Ω |
| Output Resistance | 350 ±3 Ω |
| Recommended Excitation Voltage | 10 VDC |
| Maximum Excitation Voltage | 15 VDC |
| Linearity Deviation (as % of Full Scale) | < ± 0.020 |
| Repeatability (as % of Full Scale) | < ± 0.020 |
| Hysteresis (as % of Full Scale) | < ± 0.020 |
| Creep (as % of Full Scale) in 30 min | < ± 0.020 |
| Effect of Temperature on Zero (% / °C) | ± 0.020 |
| Effect of Temperature on Span (% / °C of Load) | ± 0.001 |
| Compensated Temperature Range | -10 to + 40°C |
| Operating Temperature Range | -20 to +70°C |
| Combined Error (as % Full Scale) | < ± 0.023 max |
| Isolation Resistance (@ 50 VDC) | > 1000 M Ω |
| Max. Limit Force (as % of Full Scale) | 150 |
| Breaking Force (as % of Full Scale) | 300 |
| Lateral Load Limit (as % of Full Scale) | |
| Protection Class | IP 67 |
| Material of Construction | High Nickel Alloy Steel |

Features

- ★ Low Deflection & Creep
- ★ Excellent Overload Capability
- ★ Low Profile Design

Application

- ★ For Passenger / Goods Elevator.
- ★ Low Capacity on-board Weighing

Sensotech

2/675, " THE PALMS", 1st Cross Street, Ranga Reddy Garden, Neelankarai, Chennai-600 041.

Tel : +91- 44 -2449 4305 / 91763 70667 / 73057 16667

Mail : sales@sensotechindia@gmail.com / sensotechindia@gmail.com

Website : www.sensomaticloadcell.net / www.sensomaticloadcell.com