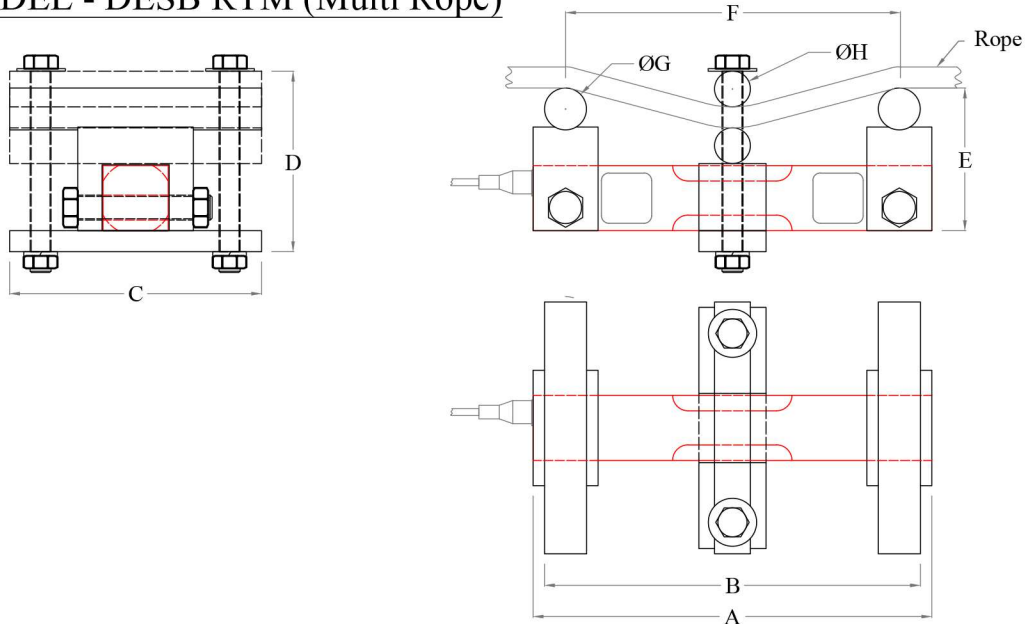


DESB RTM (Multi Rope)



Dimension

MODEL - DESB RTM (Multi Rope)



| Cap. kgf | A | B | C | D | E | F | G | H |
|------------|-----|-----|-----|----|----|-----|----|----|
| 450 - 2250 | 190 | 180 | 120 | 85 | 68 | 160 | 20 | 17 |

All Dimensions are in mm.

SENSOTECH

2/675." THE PALMS", 1st cross Street, Ranga Reddy Gardern, Neelankarai, Chennai-600041

Tel: +19- 44943305 /9176370667/7305716667

Email : sales@sensotechindia.com /sensotechindia@gmail.com

Website: www.sensomaticloadcell.com / sensomaticloadcell.net