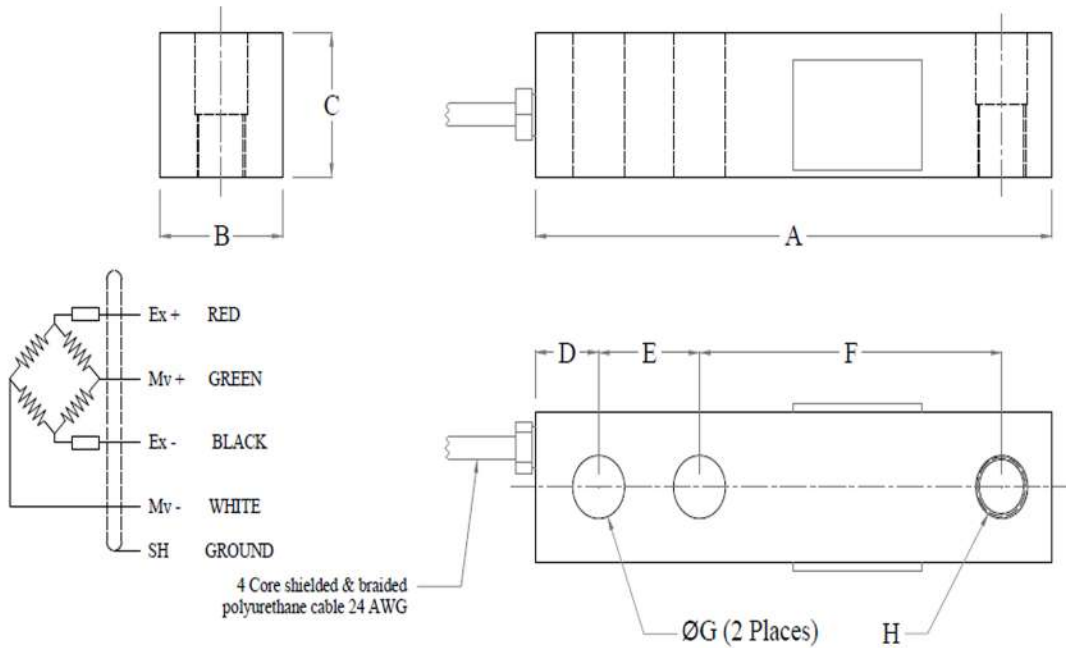


# MODEL : SESB



## Dimension



Cap. kgf	A	B	C	D	E	F	G	H
0.5 to 2.5	130	32	31	16	25.4	76	13	M12x1.75 .B13x12.7 Depth
3 to 5	172	39	38	20	38	95	21	M20x1.5 .B21x18 Depth
10 to 11.5	225	50	40	25	50	124	25	M24x2.0 .B25x14.5 Depth

All Dimensions are in mm.

## MODEL : SESB

### Performance Data

Capacity Range ( in tf)	0.5/1.1/1.5/1.8/2/2.25/2.5/3.5/5/7/9/11.5
Nominal Sensitivity (mv/V)	3±0.25%
Zero Signal Tolerance	0 ± 2%
Input Resistance	350±5Ω
Output Resistance	350±3Ω
Recommended Excitation Voltage	10 VDC
Maximum Excitation Voltage	15 VDC
Linearity Deviation (as % of Full Scale)	< ± 0.020
Repeatability (as % of Full Scale)	< ± 0.020
Hysteresis (as % of Full Scale)	< ± 0.020
Creep (as % of Full Scale) in 30 min	< ± 0.020
Effect of Temperature on Zero ( % / °C)	± 0.002
Effect of Temperature on Span ( % / °C of Load)	± 0.001
Compensated Temperature Range	-10 to + 40°C
Operating Temperature Range	-20 to +70°C
Combined Error (as % Full Scale)	< ± 0.025 max
Insulation Resistance (@ 50 VDC)	> 1000 M Ω
Max. Limit Force (as % of Full Scale)	150
Breaking Force (as % of Full Scale)	300
Lateral Load Limit (as % of Full Scale)	
Protection Class	IP 67
Material of Construction	High Nickel Alloy Steel

### Features

- ★ Low Profile Design
- ★ Low Deflection & Creep
- ★ Excellent Overload Capability
- ★ Standardised output for Multi-Transducer Application

### Optional

- ★ Explosion proof Version Suitable for Group I, IIA, IIB, IIC & meet Temperature Class T4 / zone I

### Application

- ★ Low profile floor scale, Tank/Hopper weighing, Overload Track Scale, Dynamic Weighing/Process Automation / Bagging Machine, Concrete Batching Machinery/Patient Bed Weighing/ Health monitoring

Disclaimer : Specification and Dimensions are subject to change without notice and do not constitute any liability whatsoever

## Sensotech

2/675, " THE PALMS", 1st Cross Street, Ranga Reddy Garden, Neelankarai, Chennai-600 041

Tel : +91- 44 -2449 4305 / 91763 70667 / 73057 16667

Mail : sales@sensotechindia@gmail.com / sensotechindia@gmail.com

Website : www.sensomaticloadcell.net / www.sensomaticloadcell.com