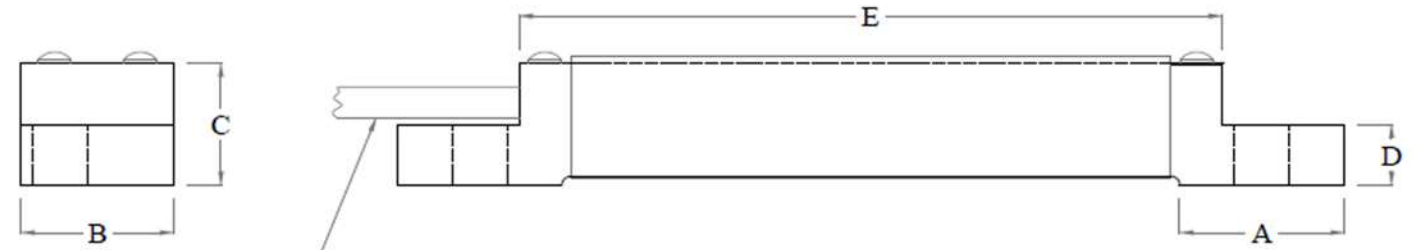


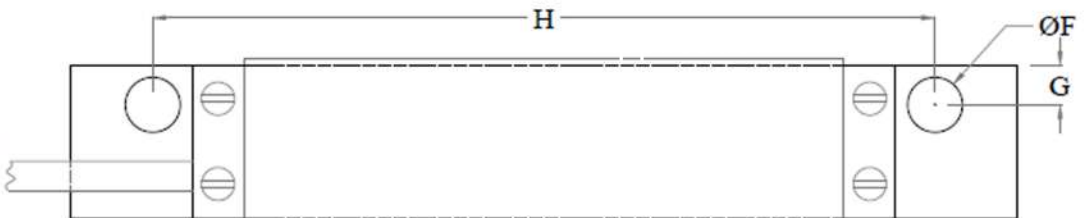
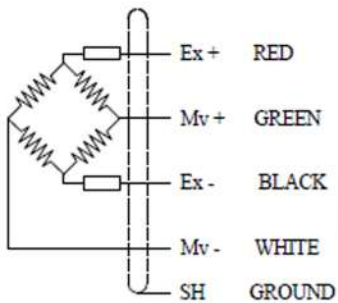
# MODEL : BS



## Dimension



4 Core shielded & braided polyurethane cable 24 AWG



Cap. :	A	B	C	D	E	F	G	H
Infinite	154	25	20	10	115	9	6.5	128

All Dimensions are in mm.

## MODEL : BS

### Performance Data

Capacity Range	Infinite
Nominal Sensitivity (mv/V)	1±10%
Zero Signal Tolerance	0 ± 3%
Input Resistance	350±5 Ω
Output Resistance	350 ± 3 Ω
Recommended Excitation Voltage	10 VDC
Maximum Excitation Voltage	15 VDC
Linearity Deviation (as % of Full Scale)	< ± 0.020
Repeatability (as % of Full Scale)	< ± 0.020
Hysteresis (as % of Full Scale)	< ± 0.020
Creep (as % of Full Scale) in 30 min	< ± 0.020
Effect of Temperature on Zero ( % / °C)	± 0.020
Effect of Temperature on Span ( % / °C of Load)	± 0.001
Compensated Temperature Range	-10 to + 40°C
Operating Temperature Range	-20 to +70°C
Combined Error (as % Full Scale)	< ± 0.023 max
Isolation Resistance (@ 50 VDC)	> 1000 M Ω
Max. Limit Force (as % of Full Scale)	150
Breaking Force (as % of Full Scale)	300
Lateral Load Limit (as % of Full Scale)	
Protection Class	IP 67
Material of Construction	High Nickel Alloy Steel

### Features

- ★ Excellent Overload Capability
- ★ Low Profile Design
- ★ Low Deflection & Creep

### Application

- ★ For Passenger / Goods Elevator.
- ★ For Truck on-Board Weighing
- ★ For Bridge / Structure deflection Measurement

### Sensotech

2/675, " THE PALMS", 1st Cross Street, Ranga Reddy Garden, Neelankarai, Chennai-600 041

Tel : +91- 44 -2449 4305 / 91763 70667 / 73057 16667

Mail : sales@sensotechindia@gmail.com / sensotechindia@gmail.com

Website : www.sensomaticloadcell.net / www.sensomaticloadcell.com