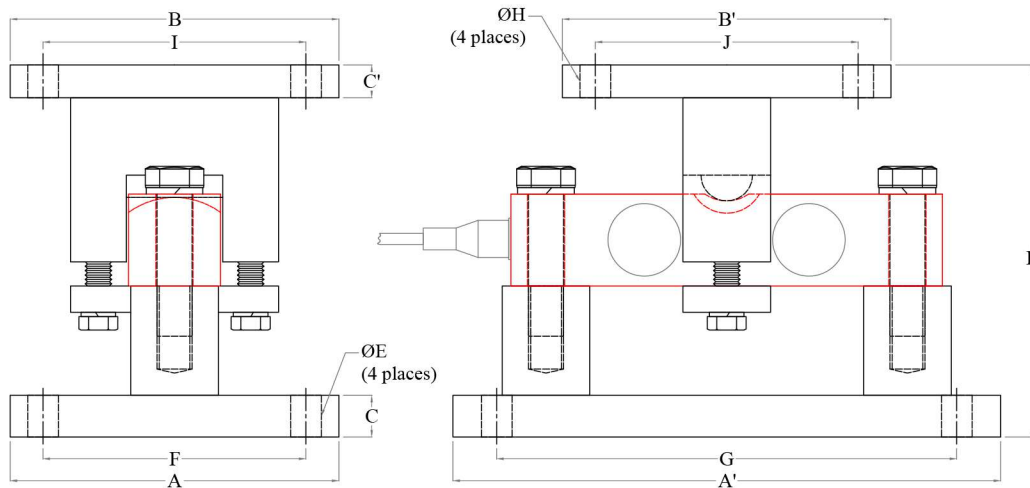


DESB (RIGID MOUNT ASSEMBLY)



Dimension

DESB (RIGID MOUNT ASSEMBLY)



| Cap. tf | A | A' | B | B' | C | C' | D | E | F | G | H | I | J |
|----------|-----|-----|-----|-----|----|----|-----|----|-----|-----|----|-----|-----|
| 4.5 - 15 | 150 | 250 | 150 | 150 | 19 | 15 | 170 | 14 | 120 | 220 | 14 | 120 | 120 |

All dimensions are in mm.

NOTE: For (18 - 20) tf capacities contact Sensotech.

SENSOTECH

2/675." THE PALMS", 1st cross Street, Ranga Reddy Gardern, Neelankarai, Chennai-600041

Tel: +19- 44943305 /9176370667/7305716667

Email : sales@sensotechindia.com /sensotechindia@gmail.com

Website: www.sensomaticloadcell.com / sensomaticloadcell.net