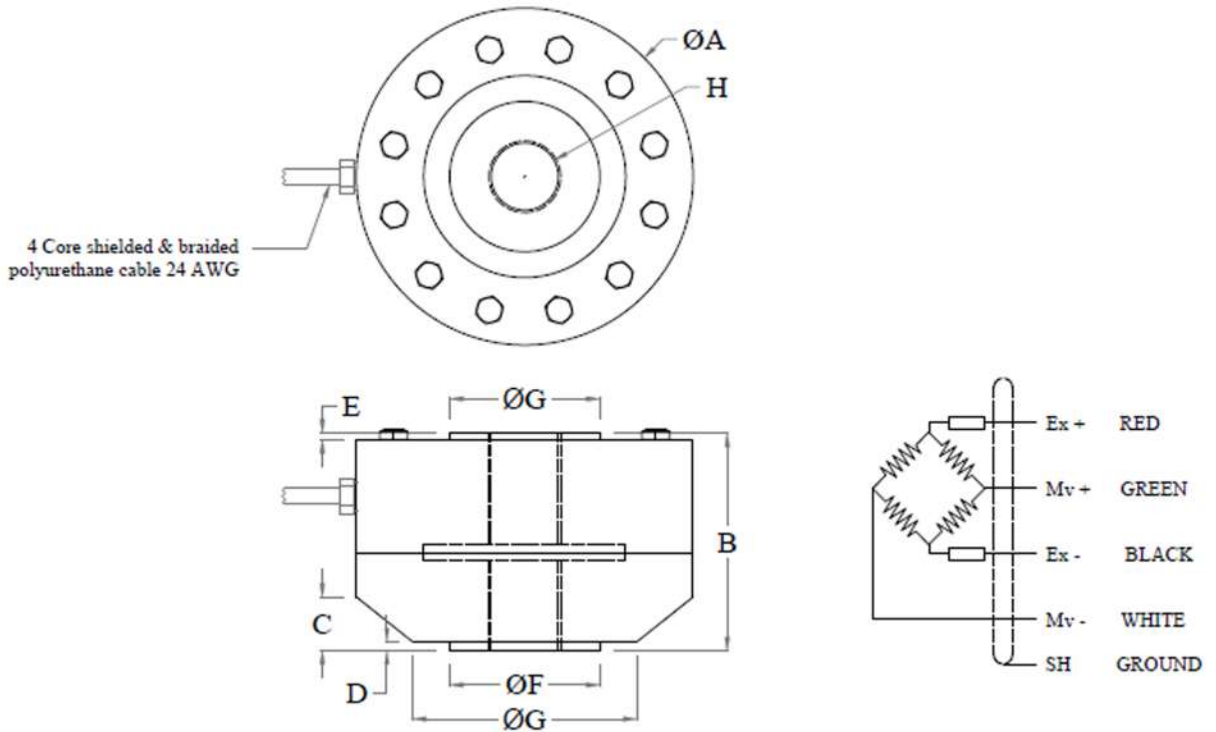


MODEL : UNV



Dimension



Cap. Tr.	A	B	D	E	F	G	H	I
0.2 - 5	105	78	23	8	3	34	55	M16x1.5
10 - 30	150	97	23	8	5	67	100	M32x1.5
50	200	113	35	10	6	90	130	M42x2.0
100 - 300	270	143	35	10	12	120	200	M72x3.0

All Dimensions are in mm.

MODEL : UNV

Performance Data

Capacity Range (in Kg)	200/ 300/ 500
Capacity Range (in tf)	5/10/15/20/25/30/40/100/200/300
Nominal Sensitivity (mv/V)	2±0.25%
Zero Signal Tolerance	0 ± 2%
Input Resistance	700±5Ω
Output Resistance	70t0±5Ω
Recommended Excitation Voltage	10 VDC
Maximum Excitation Voltage	25 VDC
Linearity Deviation (as % of Full Scale)	< ± 0.020
Repeatability (as % of Full Scale)	< ± 0.020
Hysteresis (as % of Full Scale)	< ± 0.020
Creep (as % of Full Scale) in 30 min	< ± 0.020
Effect of Temperature on Zero (% / °C)	± 0.002
Effect of Temperature on Span (% / °C of Load)	± 0.001
Compensated Temperature Range	-10 to + 40°C
Operating Temperature Range	-20 to +70°C
Combined Error (as % Full Scale)	< ± 0.03%
Isolation Resistance (@ 50 VDC)	> 1000 M Ω
Max. Limit Force (as % of Full Scale)	150
Breaking Force (as % of Full Scale)	300
Lateral Load Limit (as % of Full Scale)	
Protection Class	IP 68
Material of Construction	High Nickel Alloy Steel

Features

- ★ Ultra High Precision
- ★ Low Deflection & Creep
- ★ Allow High Permissible Dynamic Load
- ★ Build-in Mechanical Overload Protection
- ★ High Fatigue Rated & Impact Resistant

Application

- ★ UTM/SPM/Testing machine/crane scale (for use in both Tension & Compression Mode)
- ★ Process Automation / Tower Testing / Automobile testing Machines / Engine test bed / Aerospace

Sensotech

2/675, " THE PALMS", 1st Cross Street, Ranga Reddy Garden, Neelankarai, Chennai-600 041.

Tel : +91- 44 -2449 4305 / 91763 70667 / 73057 16667

Mail : sales@sensotechindia@gmail.com / sensotechindia@gmail.com

Website : www.sensomaticloadcell.net / www.sensomaticloadcell.com